

Robot Tool Changer System Demo Van



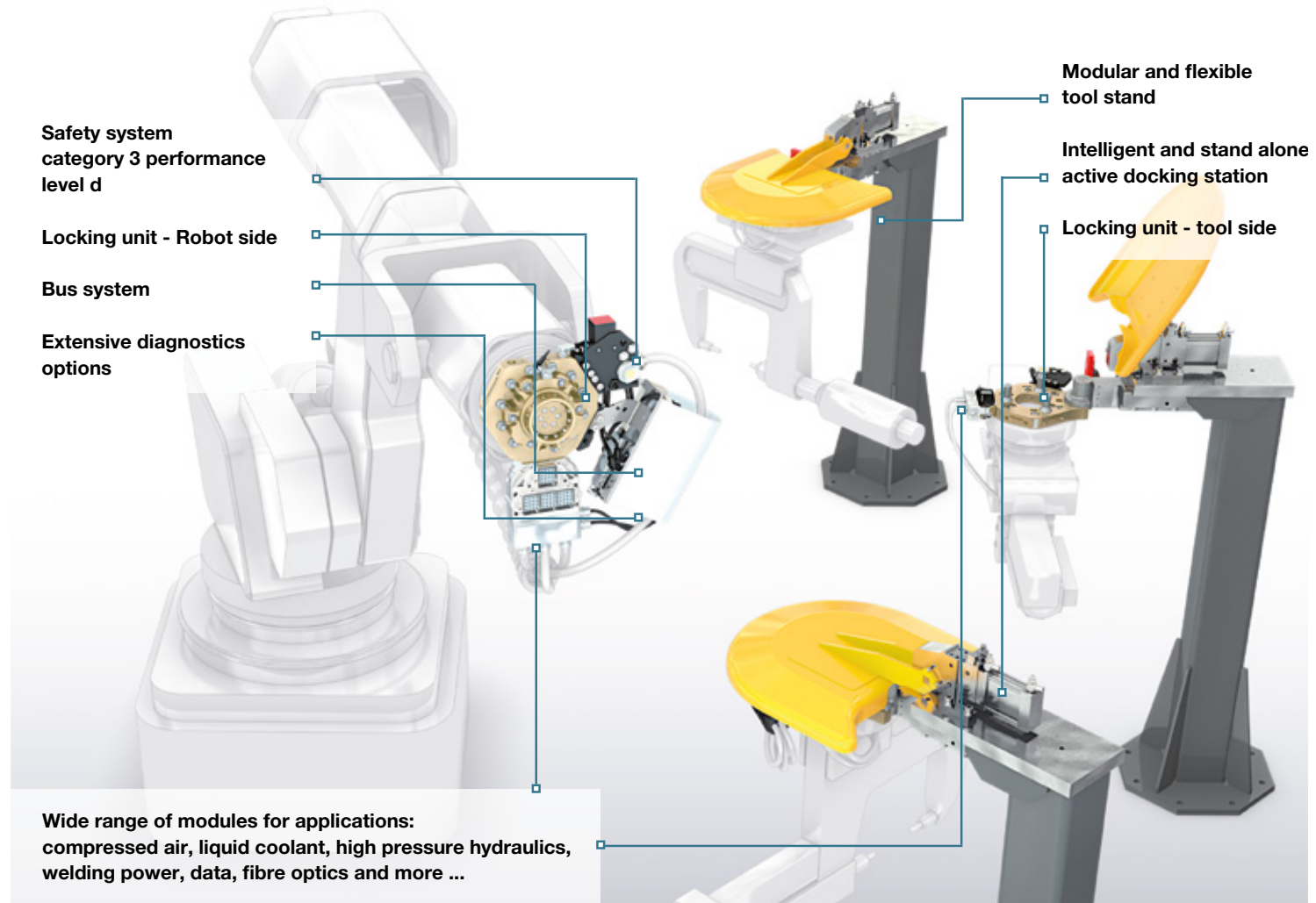


Discover the advantage of a flexible system

Find out about the benefits and individual options available with the robot tool changer system from Stäubli:

- precision
- functionality
- long life cycle
- safety
- reliability
- local service

Our product presentation introduces the special requirements and solutions for the different production technologies. Interactive video presentations show examples of real applications. Develop your optimal solution together with our specialists on your premises.



Colly Components AB
Box 76, SE-164 94 Kista, Sweden
+46 8 703 01 00
www.collycomponents.com



Our support is available worldwide. And right around the corner from you.

Our demo van operates as a mobile exhibition stand and can come to your company premises free of charge. It requires a footprint of just 3 x 7 metres and a height of 3 metres.

Proposed date:

Company/contact person:

Address:

Tel.:

E-Mail:

Remarks:

.....